

Countertop Silver Dispenser Stand

PRODUCT DESCRIPTION

Stylish dispenser stands to promote hand sanitising.

Suction cups for stability when attaching to a counter or desk top and a manual plain white dispenser are included.

SECTORS

- Office & Facility
- Healthcare
- Public Facilities
- Industrial
- Food
- Hospitality
- Education

PACK SIZES

STOCK CODE	COLOR	QTY/CASE	INCLUDED DISPENSER
MNDSKSTAND	Silver	1	WHB1LDS

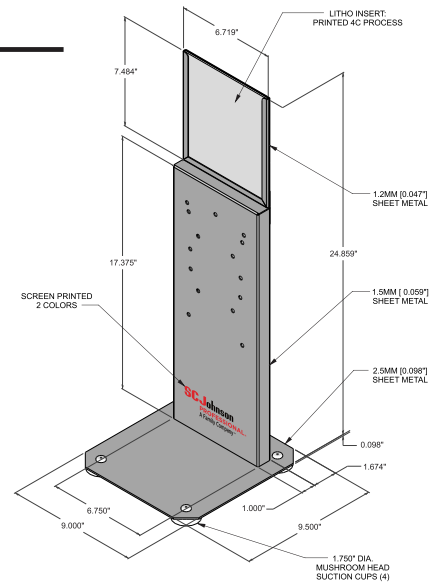
FEATURES

- For use with manual dispensers
- Strong suction cup hold for use on countertops.
- Easy to assemble with only three main parts (assembly tools included)
- Optional signage to customise the header with your message or logos (template provided below)
- Sturdy metal construction
- Durable coating to protect against wear & tear
- Low profile base to maximize stability
- Able to be fixed permanently to flat surfaces (hardware not included)



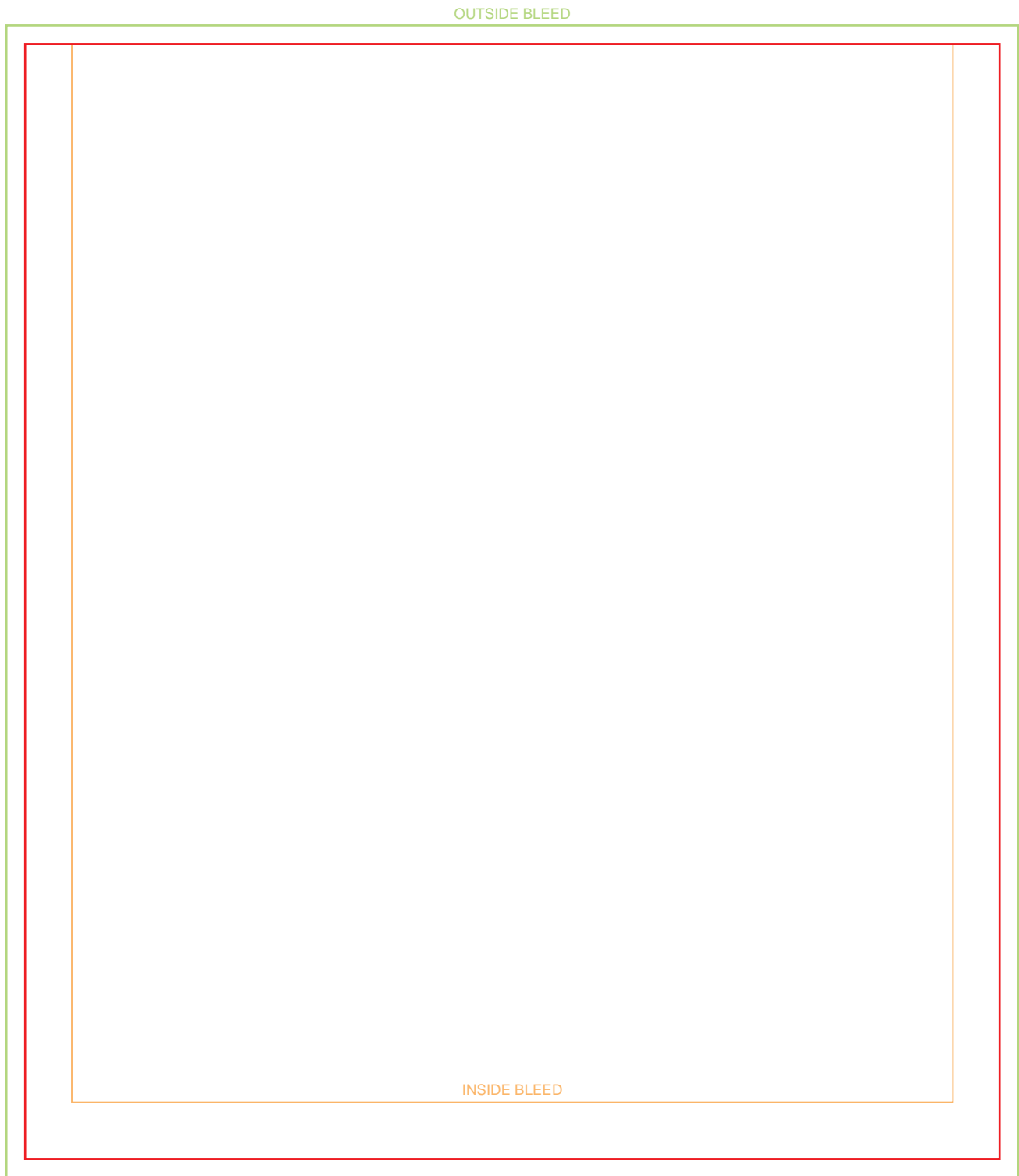
*Includes WHB1LDS Plain White Dispenser

CT Dispenser Stand Dimensions



Countertop Silver Dispenser Stand

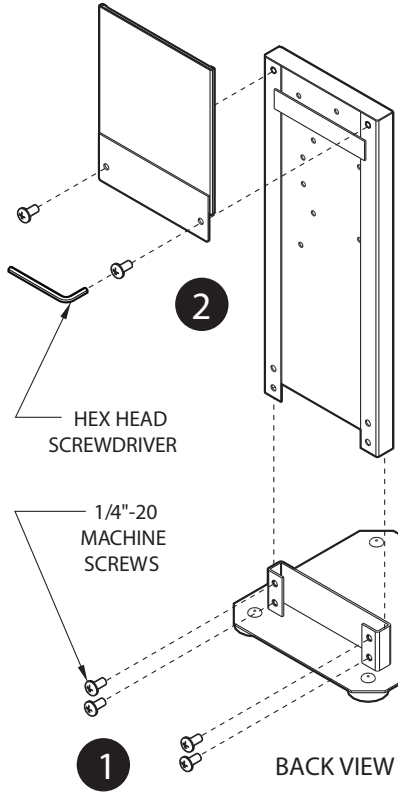
DESIGN YOUR OWN HEADER TEMPLATE



PRINT AREA :	6.750" X 7.688"
TRIM/DIE SIZE :	6.500" X 7.438"
SUBSTRATE :	0.010" GLOSS LITHO STOCK

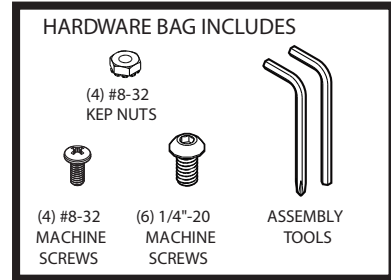
Countertop Silver Dispenser Stand

COUNTER SANITISING STATION PART# MNDSKSTAND ASSEMBLY INSTRUCTIONS



1. Position the base in the desired location with the flange side up and the suction cups down. Slide the column over the base flange so the open face of the column is facing towards the back. Align the four lower holes, insert four 1/4"-20 machine screws into them and tighten fully using the hex head assembly tool provided.

2. Attach the header by aligning its two holes with the top two holes on the back of the column. Insert two 1/4"-20 machine screws into them and tighten fully.



3. Open the dispenser. Align the top four holes on the backplate with the top four holes at the top of the column. Insert four #8-32 machine screws. From the back of the unit, attach the #8-32 kee nuts and hand tighten. Fully tighten down using the phillips head assembly tool provided.

